

CONSISTENCY CONTROL SYSTEM

Consistency Control System is used to maintain solid content in pulp water ratio. We provide Complete Control Loop along with Level Control for unique solution.

Consistency Control with Blade/Rotary/Microwave Type Consistency Transmitter

WITH PNEUMATIC DILUTION VALVE

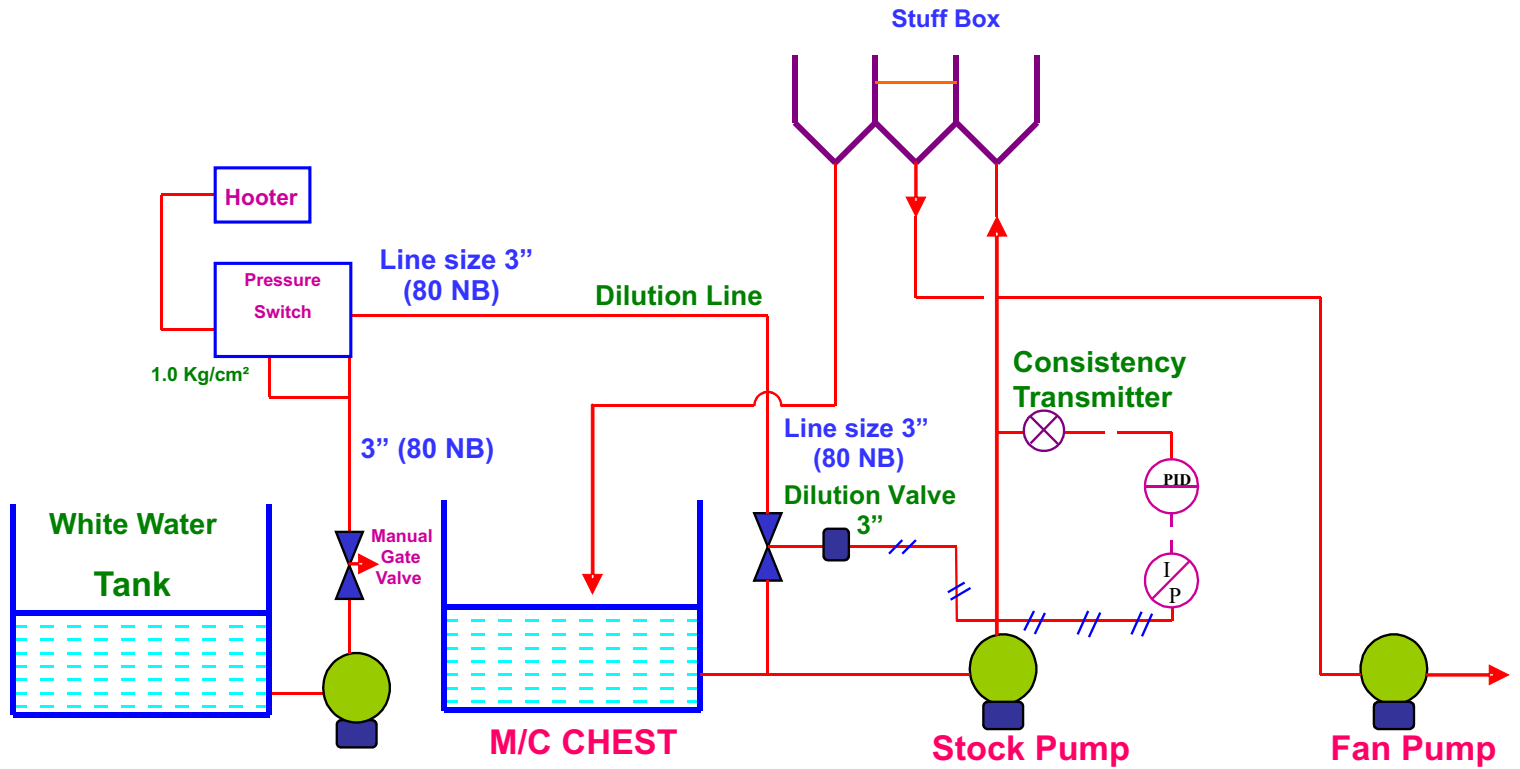
Consistency Measurement

Smart Series Microprocessor based Consistency Transmitter	
Output	: 4 to 20mA Modbus
Control Loop	
1.0 I/P Converter	
Make	: ABB/Moore/Equivalent
Input	: 4-20 mA
Output	: 0.2 to 1 kg./cm ²
2.0 Microprocessor based Single Loop PID Controller	
Make	: Honey Well/Equivalent
3.0 Pneumatic Control Valve for Dilution	
Type	: V-Notch Ball Valve, Class VI
Size	: As per requirement.
Body	: Carbon Steel with SS 316 internals
4.0 Loop Power Supply	
SMPS	
Input	: 230 V AC.
Output	: 24 V DC/5 A
5.0 System Design , Engineering & System	
Integration along with training support	

Level Control at Machine Chest

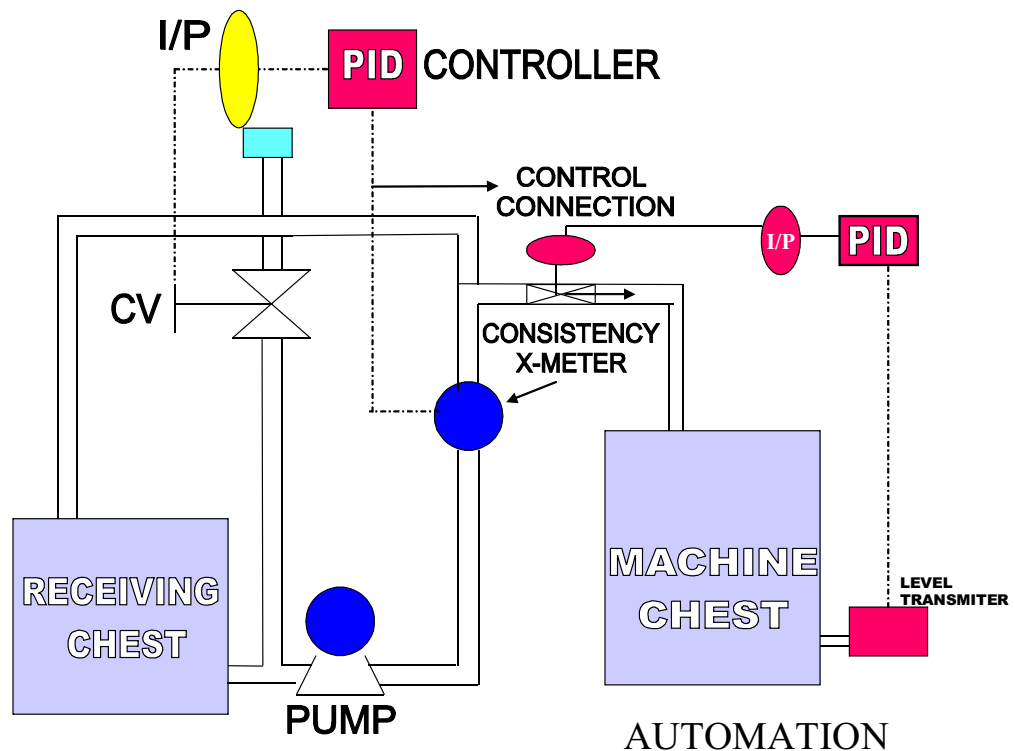
1.0 Smart Series Microprocessor based Level Transmitter	
Type	: Diaphragm, IR Sensor & Conductivity Sensor
Output	: 4 to 20mA / Modbus
Control Loop	
1.0 I/P Converter	
Make	: ABB/Moore/Equivalent
Input	: 4-20 mA
Output	: 0.2 to 1 kg./cm ²
2.0 Microprocessor based Single Loop PID Controller	
Make	: Honey Well
3.0 Pneumatic Control Valve for Dilution	
Type	: Butter Fly Valve
Size	: As per requirement.
Body	: Carbon Steel with SS 316 internals
4.0 Loop Power Supply	
SMPS	
Input	: 230 V AC.
Output	: 24 V DC/5 A
5.0 System Design , Engineering & System	
Integration along with training support	

CONSISTENCY CONTROL SYSTEM



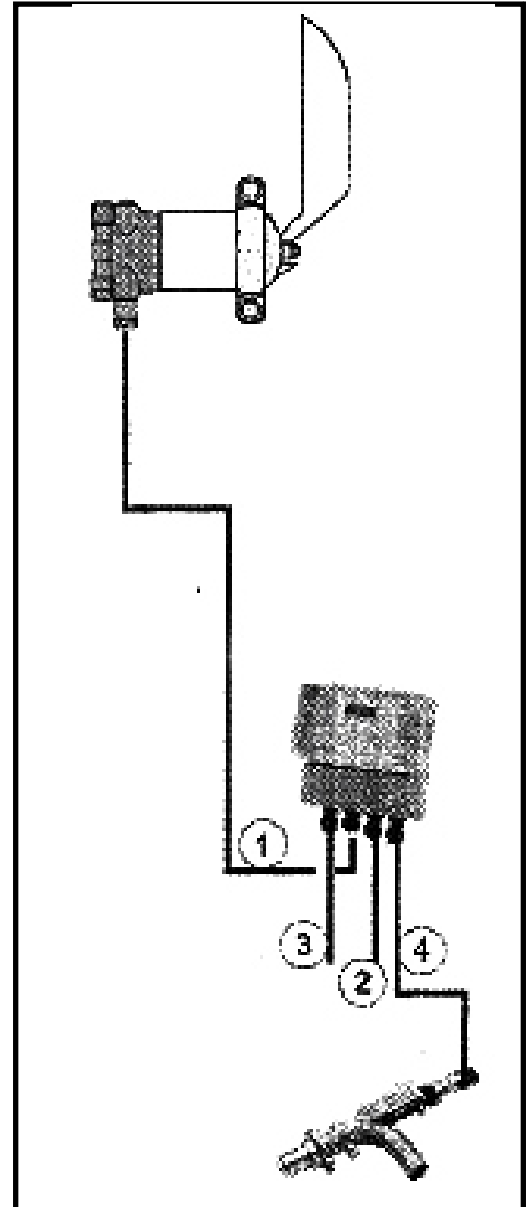
Note: If White Water Header is already present in mill then take tapping & connect it to suction of M/c pump.

CONSISTENCY & LEVEL CONTROL



TECHNICAL SPECIFICATIONS

Sensor Type	-	Blade / Rotary/Microwave
Operating Unit	-	MA + HART
Output Signal	-	2 Wire, 4-20 mA
Measurement Range	-	0.7 % - 16%
Process Pressure	-	Max. 400 PSI
Sensitivity	-	Better than 0.01 %
Process Temp.	-	0 – 120°C
Storage Temp.	-	-50 to 80 C.
Ambint Temp.	-	-20 to 60 C.
Relative Humidity	-	0 – 100 C
Flow Velocity	-	0.1 - 8.0 M/s
Weight	-	5.8 Kgs
Process connection	-	Clamp Connection to mounting saddle, saddle is welded into the process Pipe. All required hardware is included with the transmitter.
Process Pipe Size	-	150 mm or more
Material	-	All wetted parts are SS 316 mounting gaskets- PTFE, mounting saddle - 316 L Clamp & Screws –AISI 316.
Span	-	Min. 0.8% ca Max. 30 N - Zero elevation
Damping time constant	-	1 to 60 seconds
Factory Setting	-	2 Seconds
Power Supply	-	18 to 35 VDC
Load Capacity	-	18V/250Ω



Partial List of Users
(A House of Quality Products)
Item Name – CONSISTENCY MEASUREMENT & CONTROL

S.No.	Party Name	Description of Material	Qty. (Set)
1.	Sabarmati Paper Ltd., Ahmedabad (Guj.)	Consistency Control	1
2.	Rana Papers Ltd., Muzaffarnagar (U.P.)	Consistency Control	1
3.	Well Pack Papers Ltd., Ahmedabad (Guj.)	Consistency Control	1
4.	Khanna Papers Ltd., Amritsar (Pb)	Consistency Control	4
5.	Malu Papers Ltd., Nagpur (M.S.)	Consistency Control	2
6.	Dev Priya Products Ltd., Meerut (U.P.)	Consistency Control	3
7.	Sainsons Papers Ltd., Pehowa (Hry.)	Consistency Control	1
8.	Khanna Papers Ltd., Amritsar (Pb)	Consistency Control	4
9.	Naini Papers, Kahsipur (U.P.)	Consistency Control	2
10.	Tehri Pulp & Paper Ltd., Muzaffarnagar (U.P.)	Consistency Control	1 1
11.	G.V.G. Paper Ltd., Udmalpet (T.N.)	Consistency control	2
12.	Flexole Raman Ltd., Thandavpura (Kar.)	Consistency Control	2
13.	South India Papers Ltd., Nanjangarh (Kar.)	Consistency Control	6
14.	Umang Boards Ltd., Jaipur (Raj.)	Consistency Control	2
15.	Rama Papers Ltd., Kiratpur (U.P.)	Consistency Control	1
16.			
17.	Murli Agro Products Ltd., Nagpur, (M.S.)	Consistency Control	2
18.	Akshera Paper Ltd., Tirupur (T. N.)	Consistency Control	3
19.	Servall Engineering Works, Coimbatore	Consistency Control	2
20.	Raman Boards Ltd., Thandavpura, (Kar.)	Consistency Control	4
21.	Sun Paper Mills Ltd., Tirunelveli (T.N.)	Consistency Control	1
22.	South India Viscose Ltd., Coimbatore (T.N.)	Consistency Control	1
23.	Goraya Straw Products Ltd., Kashipur	Consistency Control	1
24.	Dev Priya Papers Ltd., Meerut (U.P.)	Consistency Control	2
25.	Premier Aryco (India), Bangalore	Consistency Control	1
26.	Khanna Papers Ltd., Amritsar (Pb)	Consistency Transmitter	16
27.	Sumit Agro Products, Meerut (U.P.)	Consistency Transmitter	2
28.	Senapathi Whitelay Ltd., Bangalore	Consistency Control	2
29.	N. R. Agarwal Industries Ltd., (Unit – Newsprint) Vapi	Consistency Control	4
30.	N. R. Agarwal Industries Ltd., (Unit – Newsprint) Vapi - (Repeat Order)	Consistency Control	2
31.	Kherani Papers Ltd., Vapi	Consistency Control	4
32.	N. R. Paper & Boards Ltd.,Vapi – Repeat Order.	Consistency Control	2
33.	Ruby Mecons Ltd., Vapi	Consistency Control	2
34.	Aryan Papers Ltd., Vapi	Consistency Control	2
35.	Vapi Paper Mills Ltd., Vapi	Consistency Control	2
36.	Shakumbhari Straw Products, Bilari	Consistency Control	4

1.	Seshasayee Paper & Boards Ltd., Erode	Consistency Control	4
2.	The West Coast Paper Mills Ltd., Dandeli	Consistency Control	4
3.	Satia Paper Mills Ltd Muktsar	Consistency Control	2
4.	N.R. Agarwal Industries Ltd. Vapi - Repeat Order.	Consistency Control	1
5.	Shirke Paper Mills Ltd.,	Consistency Control	1
6.	Indo Aftique Paper Mills Ltd.	Consistency Control	1
7.	Liberty Paper Inc, Phillipines	Consistency Control	1
8.	Fedco Paper Corporation	Consistency Control	1
9.	IBN Engg Co, Eygpt	Consistency Control	1
10.	Rama Newsprint & Paper Ltd.	Consistency Control	2
11.	Mohit Paper Mills Ltd.	Consistency Control	1
12.	Rana Mahindra Paper Mills Ltd.	Consistency Control	2
13.	Orient Paper Mills Ltd. Amlai	Consistency Control	4
14.	Tamil Nadu Newsprint	Consistency Transmitter	6
15.	Yash Paper Mills Ltd.	Consistency Transmitter	1
16.	Hindustan Paper Corporation Ltd., Nagaon	Consistency Transmitter	1
17.	Hindustan Paper Corporation Ltd.,	Consistency Transmitter	1
18.	Central Pulp Mills Ltd., Songarh (Smart)	Consistency Transmitter	4
19.	Ballarpur Industries Ltd., Yamunanagar	Consistency Transmitter	2
20.	Mysore Paper Mills Ltd., Bhadravati	Consistency Transmitter	1
21.	Ballarpur Industries Ltd., Unit – Sewa	Consistency Transmitter	5
22.	Star Paper Mills Ltd., Saharanpur	Consistency Transmitter	1
23.	Seshasayee Paper & Boards Ltd.	Consistency Transmitter	3
24.	J. K. Paper Mills Ltd., Raigarha (Orissa)	Consistency Transmitter	1
25.	Sun Paper Mills Ltd.	Consistency Transmitter	1
26.	Laxmi Paper & Boards Ltd.	Consistency Transmitter	1
27.	ITC - Bhadrachalan Paper Boards Ltd.	Consistency Transmitter	11
28.	Ballarpur Paper Mills Ltd., Ballarshah	Consistency Transmitter	1
29.	Shree Shyam Paper Mills Ltd.	Consistency Transmitter	1
30.	Shubham Paper Ltd, Trinelvedi	Consistency Control	1
31.	My Viet Industrial Company, Vietnam	Consistency Control	5
32.	Chamunda Papers Ltd, Meerut	Consistency Control	1
33.	Speciality Pulp & Paper Co, Phillipines	Consistency Control	1
34.	Dev Priya Products Ltd – Repeat order	Consistency Control	5
35.	Paswara Papers Ltd, Meerut	Consistency Control	1
36.	Century Pulp Paper Ltd	Consistency Transmitter	10
37.	Shripathi Papers Ltd	Consistency Control	1
38.	Nav Bharat Duplex Ltd, Meerut	Consistency Control	1
39.	Liberty Paper Inc, Phillipines - Repeat Order.	Consistency Control	1
40.	Fedco Paper, Phillipines - Repeat Order.	Consistency Control	1
41.	My Viet Industrial Company, Vietnam – Repeat order	Consistency Control	4
42.	Paswara Papers Ltd, Meerut – Repeat order	Consistency Control	1
43.	Dev Priya Papers Ltd., Meerut (U.P.) – Repeat order	Consistency Control -	2
44.	Shaan Boards Ltd, Jaipur	Consistency Control	2
45.	Umang Boards Ltd, Jaipur – Repeat order	Consistency Control	2
46.	Bhagwathi Kripa Paper Mills Ltd, Jaipur	Consistency Control	2
47.	Subam Paper Ltd, Tirunelveli, (T.N) –Repeat order	Consistency Control	2
48.	IBN Engg Co, Eygpt – Repeat order	Consistency Control	4
49.	Shree Bhawani Paper Mills Ltd, Raibarelle-Repeat Order.	Consistency Control	4
50.	South India Papers Ltd., Nanjangarh (Kar.)-Repeat order	Consistency Control	9